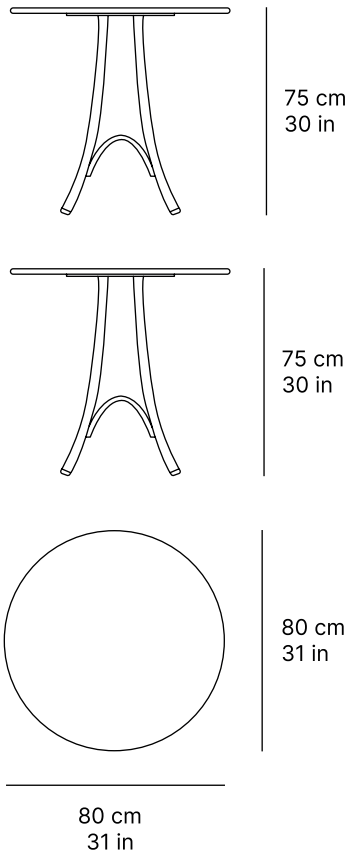


arata bistro table

[24457.01.02]



CHARACTERISTICS

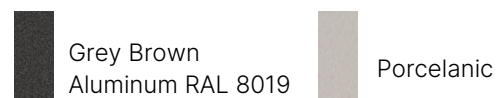
DIMENSIONS \varnothing 80 × 75 cm

THICK TOP 8 mm

WEIGHT 0.00 kg

VOLUME 0,27 m³

MATERIALS



MATERIALS & CARE

MATERIAL: Aluminum

1. Clean regularly with a soft cloth of warm soapy water.
2. Do not use harsh or abrasive cleaning agents.
3. Aluminium is a perfect metal for outdoor use due to its antioxidant properties, light weight and great durability.

MATERIAL: Porcelanic

1. Periodically, clean the laminates using a soft microfiber cloth and common detergents (degreasers, multi-purpose) or soap.
2. Let it act for a minutes, then clean it with another cloth to remove any remaining producto. And dry it with kitchen paper.
3. Do not use abrasive cleaning products, acids or bleach.
4. They are antistatic finishes, that is, they do not attract dust. And with an extreme resistance to heat and freezing temperatures.

