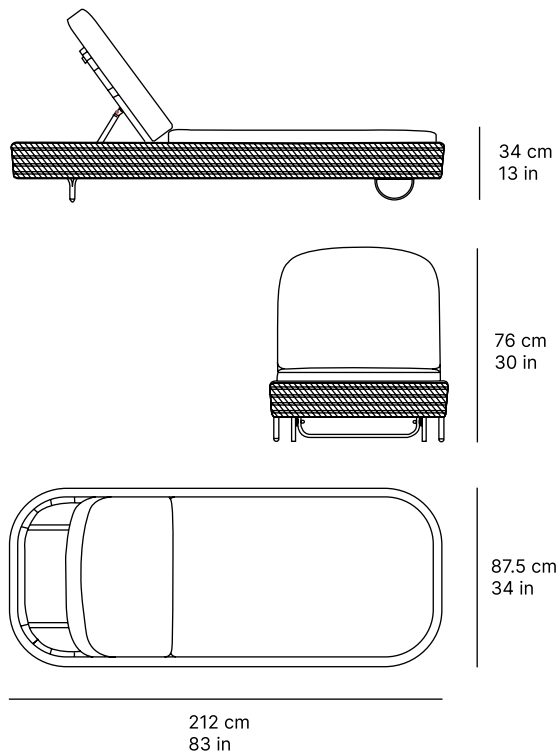


koro lounge

[24448.01]



CHARACTERISTICS

DIMENSIONS 87,5 × 212 × 29,5 cm

SEAT HEIGHT 34 cm

POSITIONS 4

WEIGHT 0.00 kg

VOLUME 0,55 m³

MATERIALS

Aluminum
RAL 1013

Flat flat 35mm beige
& polyrope 6mm

MATERIALS & CARE

MATERIAL: Aluminum

1. Clean regularly with a soft cloth of warm soapy water.
2. Do not use harsh or abrasive cleaning agents.
3. Aluminium is a perfect metal for outdoor use due to its antioxidant properties, light weight and great durability.

MATERIAL: Polyrope

1. Periodically, vacuum or brush the rope to prevent dirt build-up. Be careful no to fray it.
2. Clean the ropes at low temperature with warm water and neutral soap.
3. It is a waterproof, non-absorbent material and totally suitable for outdoors. It offers great resistance to UV rays.

