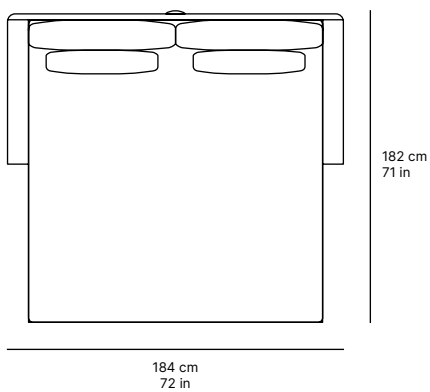
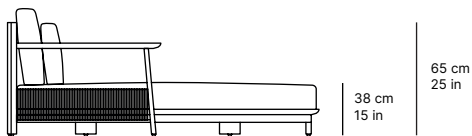
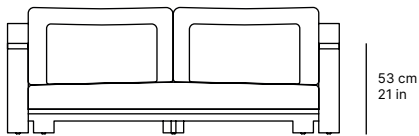


[24406]

## olma daybed



### CHARACTERISTICS

DIMENSIONS 184 × 182 × 65 cm

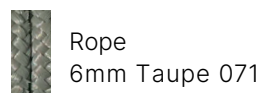
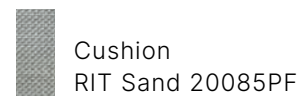
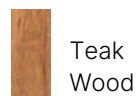
ARM HEIGHT 53 cm

SEAT HEIGHT 38 cm

WEIGHT 81.47 kg

VOLUME 2.18 m<sup>3</sup>

### MATERIALS



## MATERIALS & CARE

---

### MATERIAL: Teak

1. Clean regularly with a soft cloth of water and neutral soap.
2. Occasional application of teak specific oils, which do not contain alcohol or chemicals. (Such as Teak Cleaner or Teak Protector)
3. Do not use harsh or abrasive cleaning agents.
4. Teak is a wood with excellent properties for the manufacture of furniture for both indoor and outdoor use, for its great resistance, impermeability and hardness, the secret is based on its close grain and natural oils.

### MATERIAL: Rope

1. Periodically, vacuum or brush the rope to prevent dirt build-up. Be careful not to fray it.
2. Clean the ropes at low temperature with warm water and neutral soap.
3. It is a waterproof, non-absorbent material and totally suitable for outdoors. It offers great resistance to UV rays.

